



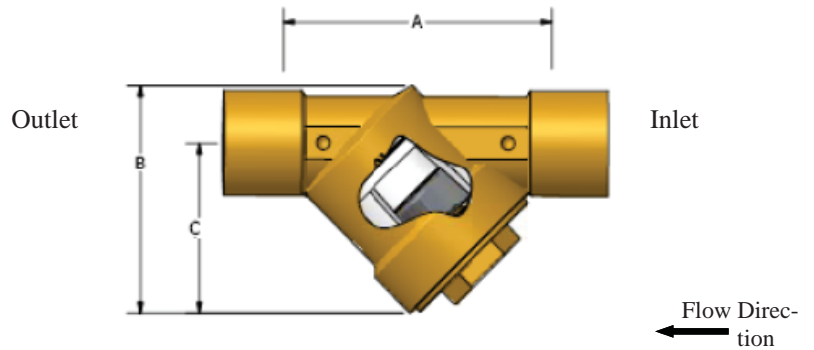
**Name: Mesurflo**

**Sizes: 1/2" & 3/4"**

**GPM: 0.50 - 9.00**

**Type: Y-Body Automatic  
Balancing Valve**

**Model: 2517**



**Standard Features:**

- FSWT Outlet / Inlet Connections
- Changeable GPM Flow Cartridges
- Differential Operating Pressure:  
2-80 PSID 0.50-5.00 GPM  
3-80 PSID 5.50-9.00 GPM  
 ± 10% Accuracy
- Operating Temperature Range 32°F to 225° F
- Valves Labeled with Model No., Size & Flow Rate
- Valve Body Suitable for 600 PSIG

MATERIAL SPECIFICATIONS	
Valve Body	Brass
End Cap	Brass
O-Rings	EPDM
Diaphragm	EPDM
Orifice	Polyphenylsulfone

Dimensions				
Size	1/2"		3/4"	
	IN	MM	IN	MM
A	2.04	52	2.36	60
B	2.12	54	2.11	54
C	1.58	40	1.58	40